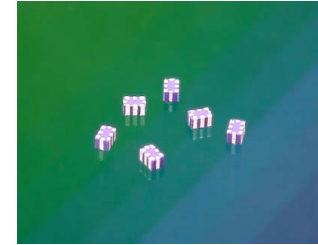


RF PRODUCT INFORMATION

RFLPF2012110A0T Series

LTCC Multi Layer Chip Low Pass Filter
For ISM Band 2.4GHz Application

Patent Pending



FEATURES

- Miniature footprint: 2.00 x 1.25 x 1.05 mm³.
- Low Insertion loss 0.7 dB (Typical 0.3dB@2.4GHz)
- High attenuation on 2nd and 3rd harmonic suppressed
- LTCC process

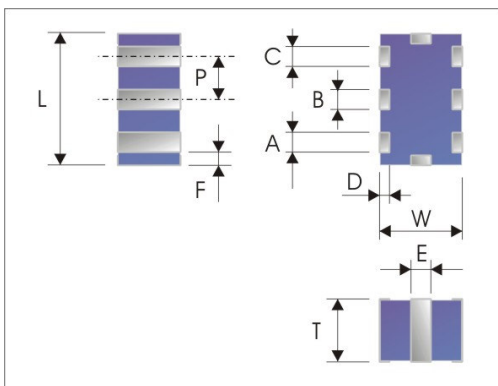
ELECTRICAL CHARACTERISTICS

Item	Specification
Frequency range (MHz)	2450 ± 50
Insertion Loss (dB)	0.7 max
VSWR	1.5 max
Ripple (dB)	0.6
Attenuation (dB min.)	30 @ 2 x (fo ± BW / 2) 25 @ 3 x (fo ± BW / 2)

APPLICATIONS

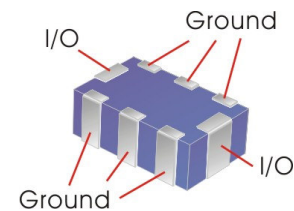
- 2.4GHz ISM band RF applications.
- Bluetooth, Wireless LAN, HomeRF

DIMENSION



Symbol	Dimension	Symbol	Symbol
L	2.00 ± 0.15 mm	C	0.30 ± 0.10 mm
W	1.25 ± 0.10 mm	D	0.40 ± 0.20 mm
T	1.05 ± 0.10 mm	E	0.30 ± 0.10 mm
A	0.30 ± 0.10 mm	F	0.20 ± 0.10 mm
B	0.30 ± 0.10 mm	P	0.65 ± 0.10 mm

CONSTRUCTION

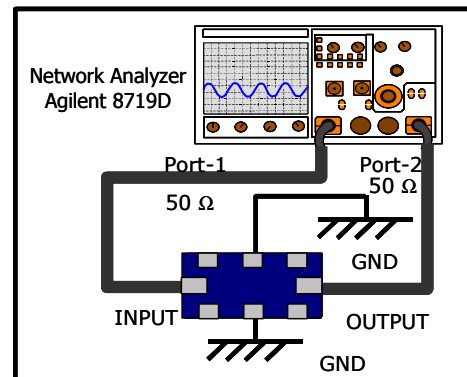


Outline of 2.4GHz Low Pass Filter

ELECTRICAL PERFORMANCE



MEASUREMENT CIRCUIT



CONTACT INFORMATION

For more information, please contact with
Walsin Technology Corporation.

Tel : 886-3-475-8711
Fax : 886-3-475-5197
E mail : info@passivecomponent.com
Web Site : http://www.passivecomponent.com

Specification subject to change without prior notice.